

SPECIALTY ITEMS

PART #100-067 WAX PUMP SHAFT



PART #100-083 CHAIN LINK PIN

PART #100-084 CHAIN LINK, SQUARE
PART #100-084A CHAIN LINK, ROUND



PART #100-094 HOUR GLASS PIN

PART #100-095 HOUR GLASS ROLLER, 1/2" PIN
PART #100-095A HOUR GLASS ROLLER, 3/4" PIN
PART #100-095B HOUR GLASS ROLLER, WITH BEARINGS



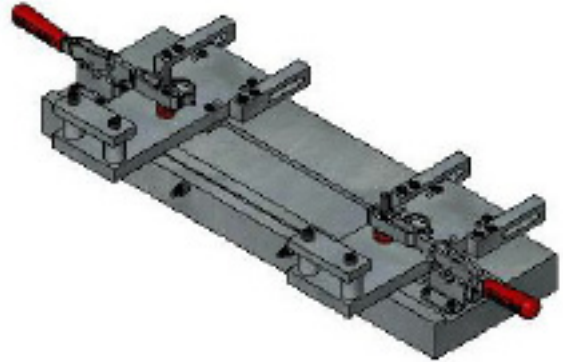
PART #100-082 SLEEVE, OEM REFERENCE #61234-2

PART #100-118 KNIFE GRINDING FIXTURE, 27"
PART #100-121-27 KNIFE GRINDING FIXTURE, HOLDS (4) 27", 7mm KNIVES
PART #100-121-L5 KNIFE GRINDING FIXTURE, HOLDS (6) LONG LOG, 5mm KNIVES
PART #100-121-S5 KNIFE GRINDING FIXTURE, HOLDS (6) 18-1/2", 5mm KNIVES
PART #100-121-S7 KNIFE GRINDING FIXTURE, HOLDS (4) 18-1/2", 5mm KNIVES
PART #100-341 KNIFE GRINDING FIXTURE, COUNTER KNIVES, 18-1/2"
PART #100-341A KNIFE GRINDING FIXTURE, COUNTER KNIVES, 27"
PART #100-341-001 REST BLOCKS, SET OF 1 EA., 40°, 45°, 50°, 55°
PART #100-341-005 REST BLOCK, 60°



SPECIALTY ITEMS

PART #100-122A BABBITING FIXTURE, 18-1/2" KNIVES
PART #100-122B BABBITING FIXTURE, 27" KNIVES



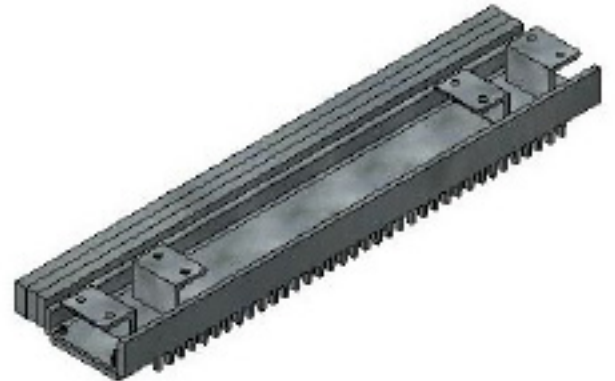
PART #100-123 BABBITING FUNNEL (SECTION VIEW SHOWN)

PART #100-125 BURNER DOOR CLAMP



PART #100-130 LOGO INSERT, BY CUSTOMER DESIGN

PART #100-186-200 CANTENARY PADDLES & WEAR EDGES



PART #100-241 PRESS BLOCK

SPECIALTY ITEMS

PART #100-243 HOLD DOWN SHAFT, WETOMA SAW



PART #100-272 SHAFT, HEAT TREATED 4140, VAUGHAN PUMP
PART #100-272A SHAFT, HEAT TREATED STAINLESS STEEL, VAUGHAN PUMP

PART #100-273 SLEEVE, CHROMED, VAUGHAN PUMP



PART #100-274 SLEEVE, VAUGHAN PUMP

PART #100-275 STUFFING BLOCK, VAUGHAN PUMP



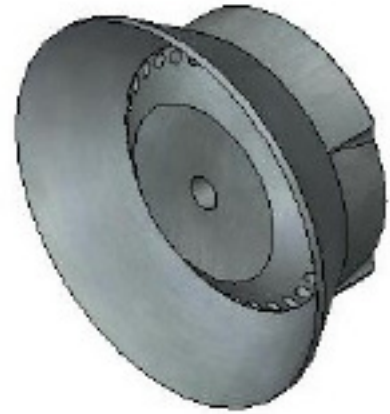
PART #100-276 PACKING FLANGE, MILD STEEL, VAUGHAN PUMP
PART #100-276A PACKING FLANGE, STAINLESS STEEL, VAUGHAN PUMP

PART #100-277 CYLINDER SHAFT



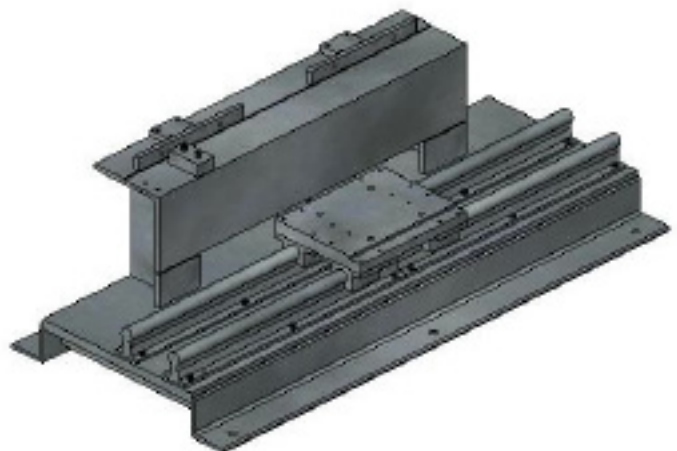
SPECIALTY ITEMS

PART #100-308	ATOMIZER CONE, SINGLE ROW OF HOLES
PART #100-403A	ATOMIZER CONE, DOUBLE ROW OF HOLES
PART #100-403D	ATOMIZER CONE, SINGLE ROW OF HOLES
PART #100-403E	ATOMIZER CONE, DOUBLE ROW OF HOLES
PART #100-625	ATOMIZER CONE, DOUBLE ROW OF HOLES
PART #100-625A	ATOMIZER CONE, SINGLE ROW OF HOLES
PART #100-688	ATOMIZER CONE, ANGLED HOLES, DOUBLE ROW OF HOLES
PART #100-688A	ATOMIZER CONE, ANGLED HOLES, SINGLE ROW OF HOLES
PART #100-688B	ATOMIZER CONE, ANGLED HOLES, SINGLE ROW OF HOLES



PART #100-355 PAPER SHEAR MACHINE FOR LAMINATE OVERLAY

PART #100-366A	ROUTER FIXTURE, LINEAR WAY 18-1/2"
PART #100-366B	ROUTER FIXTURE, LINEAR WAY 27"
PART #100-366C	ROUTER FIXTURE, LINEAR WAY 37"
PART #100-366-1A	ROUTER FIXTURE, PNEUMATIC 18-1/2"
PART #100-366-1B	ROUTER FIXTURE, PNEUMATIC 27"
PART #100-366-1C	ROUTER FIXTURE, PNEUMATIC 37"
PART #100-366-2A	ROUTER FIXTURE, CONT. WAY 18-1/2"
PART #100-366-2B	ROUTER FIXTURE, CONT. WAY 27"
PART #100-366-2C	ROUTER FIXTURE, CONT. WAY 37"
PART #100-366-3A	ROUTER FIXTURE, PNEUMATIC 18-1/2"
PART #100-366-3B	ROUTER FIXTURE, PNEUMATIC 27"
PART #100-366-3C	ROUTER FIXTURE, PNEUMATIC 37"



SPECIALTY ITEMS

PART #100-371 THREADED INSERT, LONG, FOR KNIFE GRINDING FIXTURE
PART #100-371A THREADED INSERT, SHORT, FOR KNIFE GRINDING FIXTURE



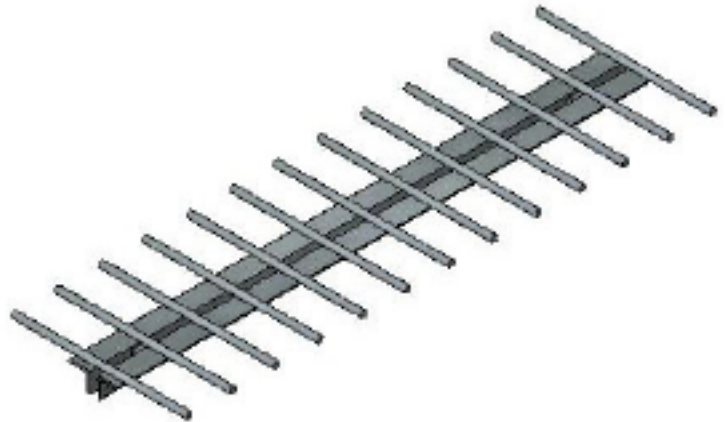
PART #100-377 GRUENDLER BOLT

PART #100-393 ARMATURE SHAFT



PART #100-405 PIN, ELEVATOR LOADER HOOK

PART #100-419 CONVEYOR FLIGHTS, 44-1/4" WIDE
PART #100-419A CONVEYOR FLIGHTS, 52-1/2" WIDE
PART #100-420 CONVEYOR FLIGHTS, 28" WIDE



PART #100-467 STRIKE PLATE, 5 HOLE, HARD FACED, WEIGHT BALANCED
PART #100-511A STRIKE PLATE, 6 HOLE, WEIGHT BALANCED
PART #100-511-HF STRIKE PLATE, 6 HOLE, HARD FACED, WEIGHT BALANCED

SPECIALTY ITEMS

PART #100-522 MOUNTING BRACKET



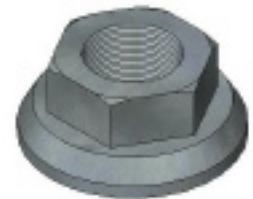
PART #100-569 CHIPPER ANVIL, 75"

PART #100-572 VENEER SLITTER KNIFE, 2" LONG



PART #100-579 DEBARKER AXLE SPACER, VALON CONE

PART #100-580 DEBARKER AXLE NUT, VALON CONE



PART #100-586 BEARING HANGER, SOLD IN PAIRS

PART #100-595A PIVOT PIN



SPECIALTY ITEMS

PART #100-617 HOLD DOWN WHEEL ASSEMBLY, SANDER



PART #100-624 SHAFT CLAMP, VIBRATION CONVEYOR

PART #100-674 RESIN PLATE, WITH GASKET



PART #100-712 SLITTER KNIFE

PART #100-730 BRUSH HOLDER, 74" LG.
PART #100-731 BRUSH HOLDER, 74" LG.

(FULL LENGTH PART NOT SHOWN)



PART #100-744 HOG HAMMER